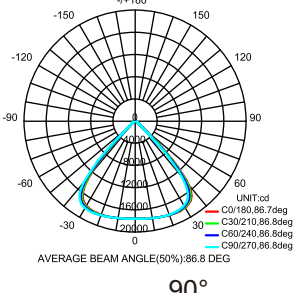
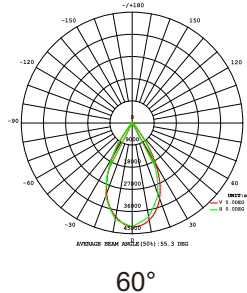
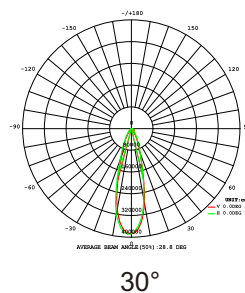
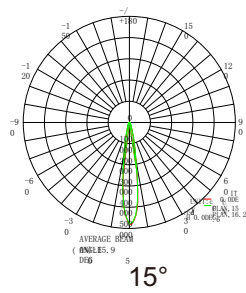
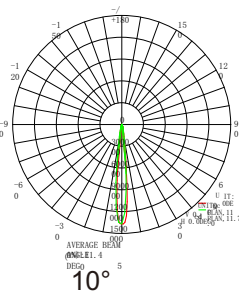
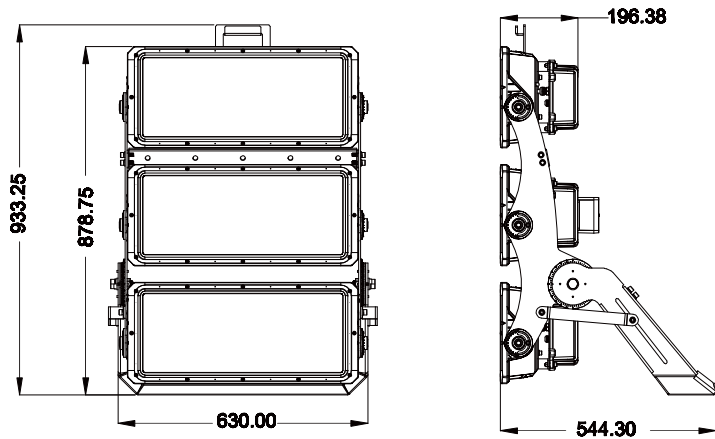




# Challenger Pro Series

## Technical Specification



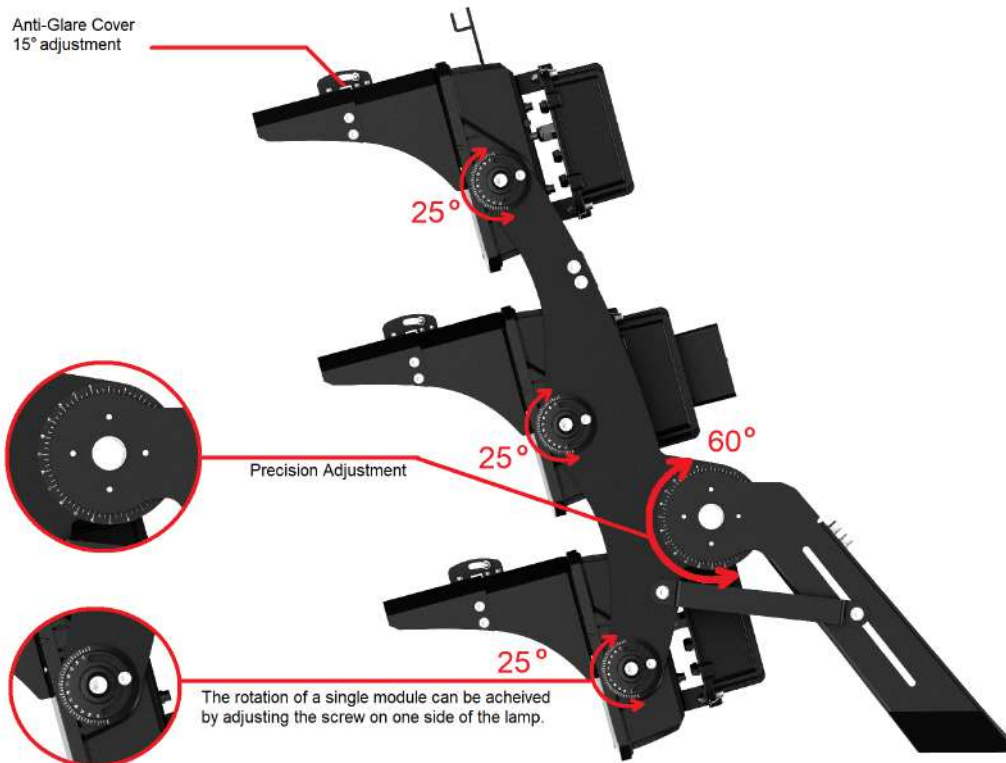
### LED

Type:	Challenger Pro
Watts	1500W   1800W
Lumens	150lm/W
CCT	3000K - 6500K
Ingress Protection	IP66 & Water-proof
Impact Protection	IK10
Weight	60kg
Material	Die-Casting Aluminium
Installation Spigot	According to requirements in Lighting Design



# Challenger Pro Series

## Technical Specification



## Attributes

Full ranges of wattages available 400, 500 - 1800W to match various requirements.

Flexible Beam angle adjustment Gear Rotatable Design (User-friendly).

Unique optical design with no frequency and optional Anti-glare covers.

Modular assembly.

Beam angles: 10°, 15°, 30°, 60°, 90°. T2 for option.

Strong corrosion resistance powder coated finish, suitable for harsh outdoor environments.

Integrated 600W Driver box on each light module.